

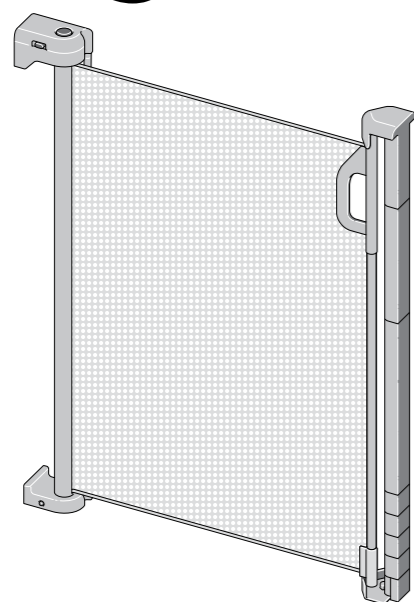
SKIP*HOP

304502-03

EN

6-24m

PLAYVIEW™
**retractable
mesh gate**



OWNER'S MANUAL

© 2019 Skip Hop, Inc.
SKIP HOP and MUST-HAVES MADE BETTER
are trademarks owned by Skip Hop, Inc.
All rights reserved.

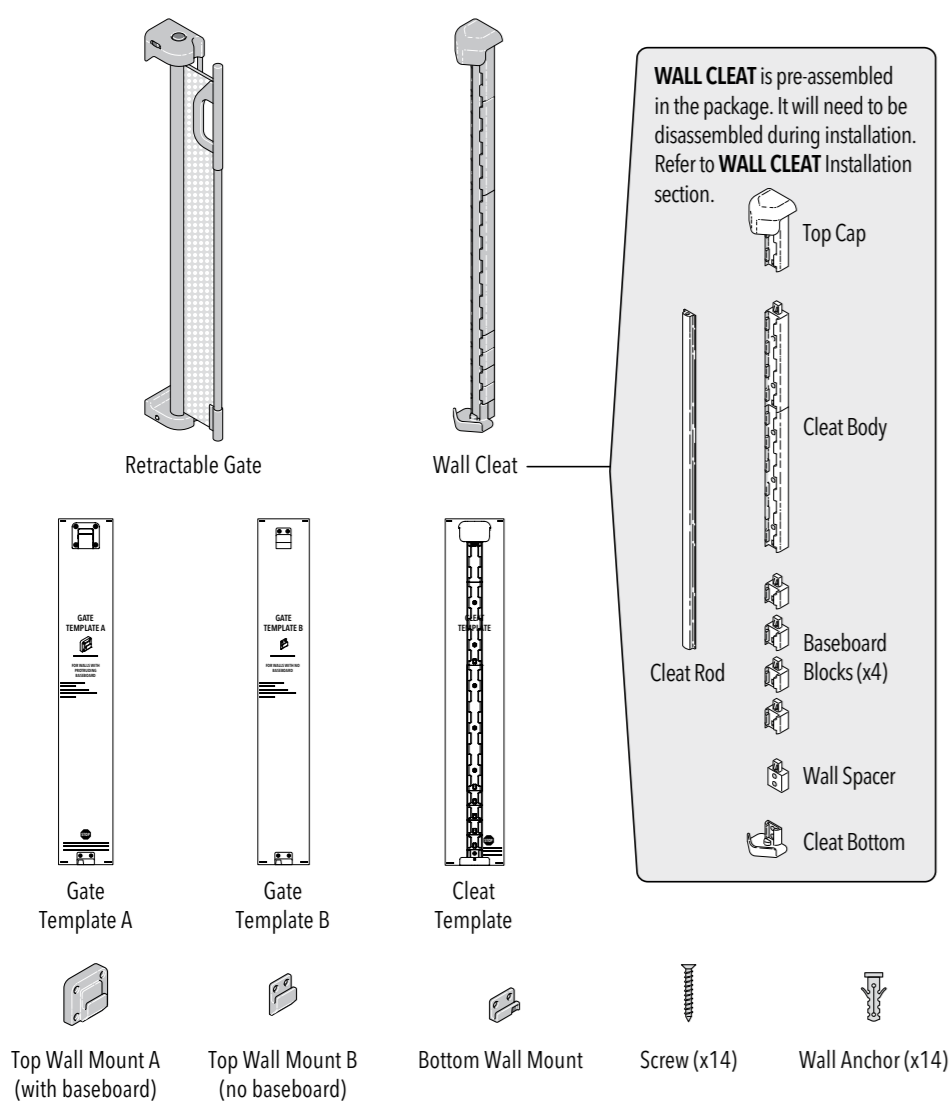
50 W 23 ST, NY, NY 10010
In the US: 888.782.9548
www.skiphop.com
Made in China

Meets or exceeds applicable
safety standards.

Please read all instructions before assembly and use of Playview Retractable Mesh Gate.

**IMPORTANT! READ CAREFULLY AND KEEP FOR
FUTURE REFERENCE.**

CONTENTS:



WALL CLEAT is pre-assembled in the package. It will need to be disassembled during installation. Refer to **WALL CLEAT** Installation section.

REQUIRED (NOT INCLUDED):

- Drill
- Drill bit 3/32" (2.5mm) (for anchoring to wood)
- Drill bit 13/64" (5mm) (for anchoring to drywall)
- Phillips head screwdriver (or long phillips drill tip)
- Hammer or mallet (for anchoring to drywall)
- Painter's tape

NOTE: The screws and wall anchors included in the package enable you to install the gate to a wood-lined doorway, to wood studs, and to drywall. Additional or different mounting hardware may be required for other wall materials and constructions.

VIDEO ASSEMBLY INSTRUCTIONS:

Scan the QR code with your smartphone for video assembly instructions.



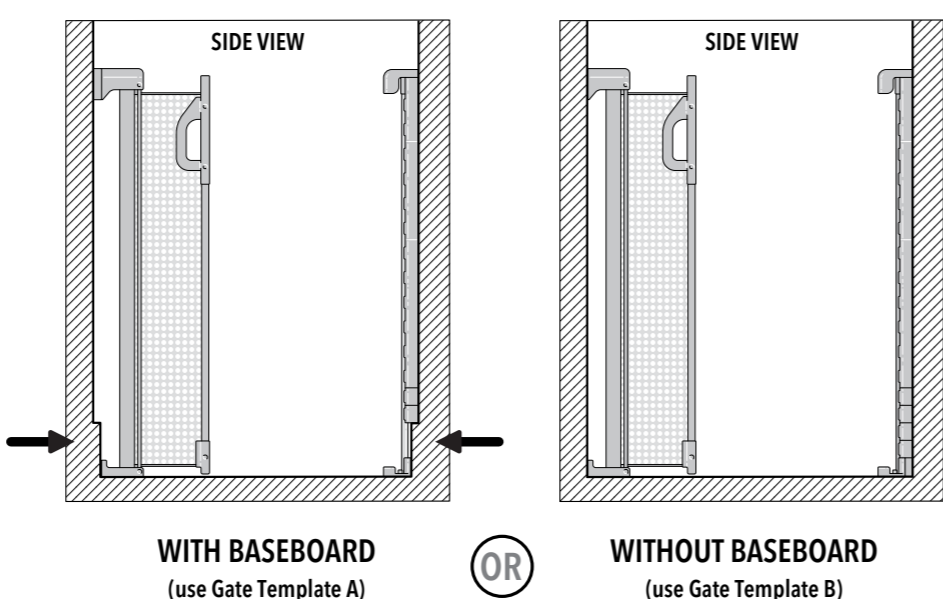
CLEANING & CARE:

Wipe clean with a damp cloth.

OVERVIEW:

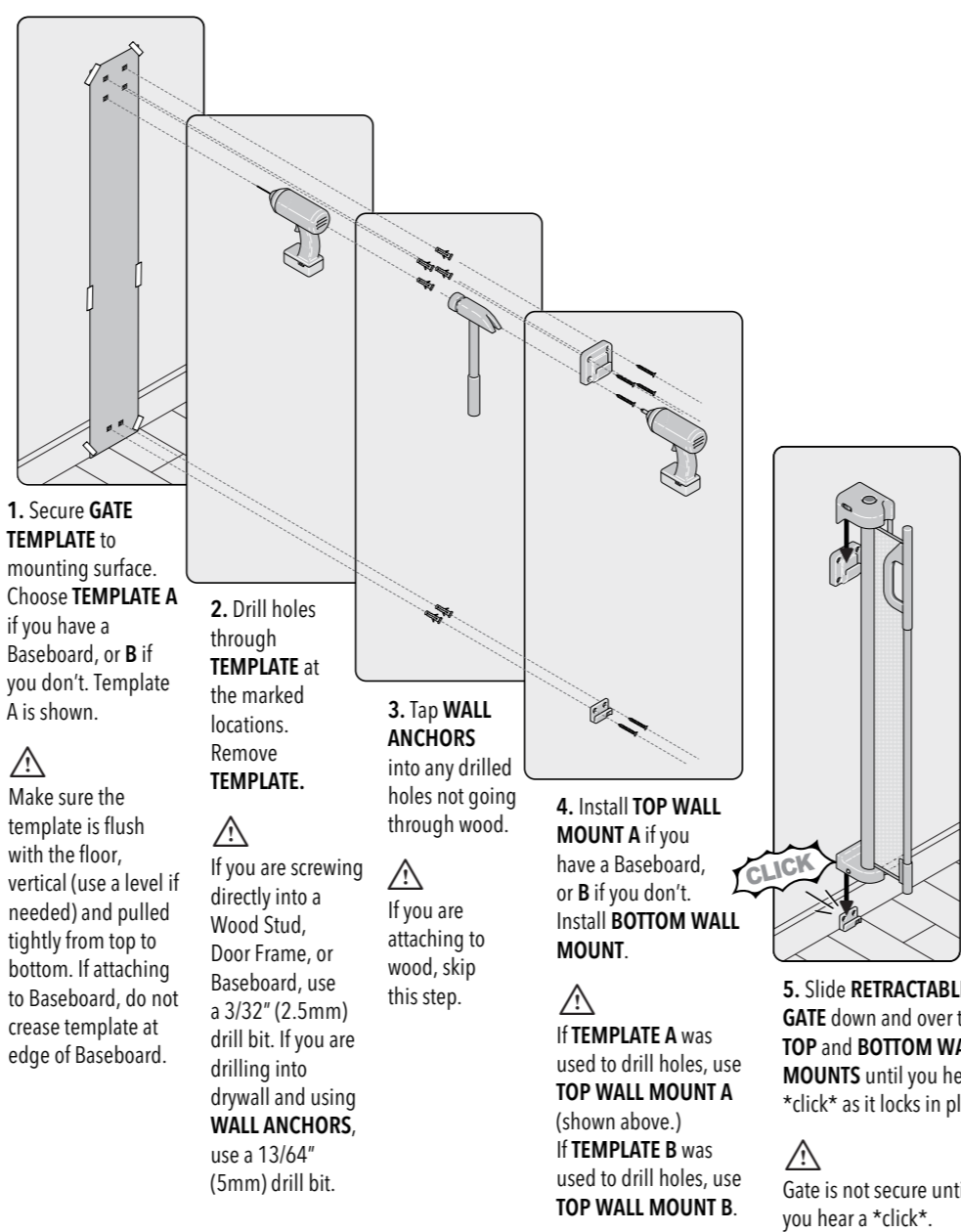
The **RETRACTABLE GATE** can be installed in multiple ways, depending on whether or not your walls or doorway have baseboards.

Extends up to 52 inches maximum width.



INSTALLATION: RETRACTABLE GATE

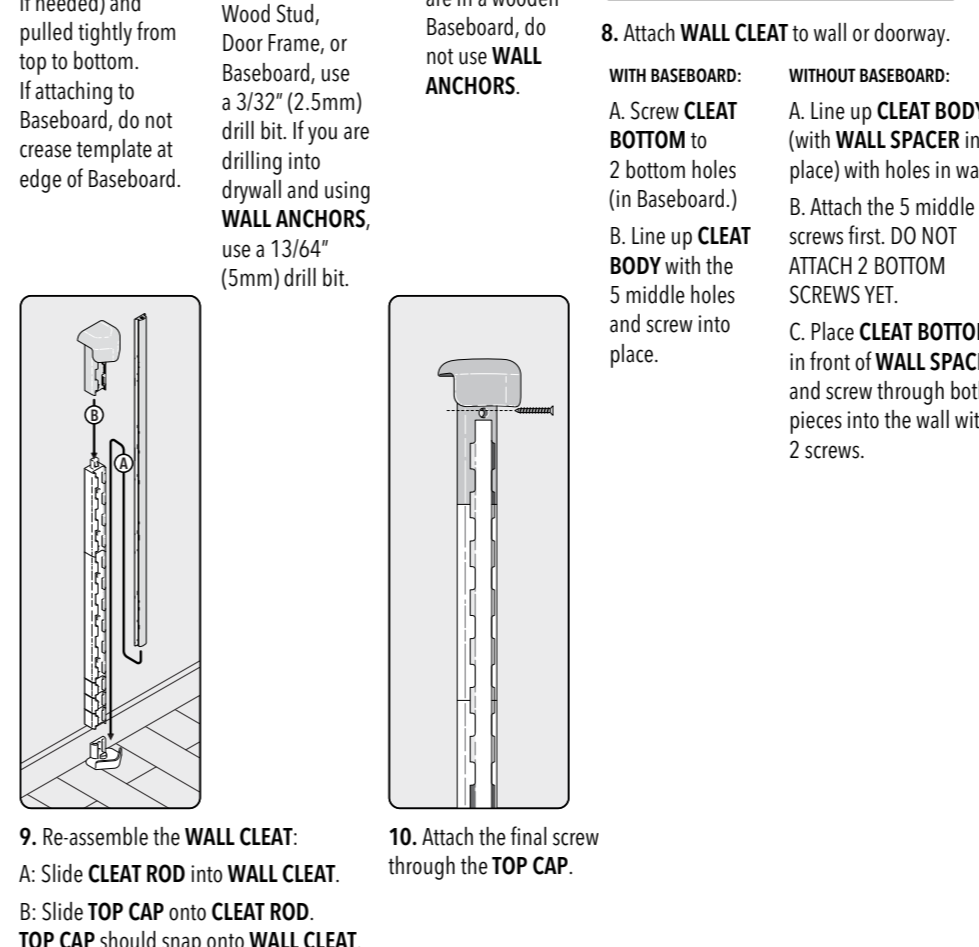
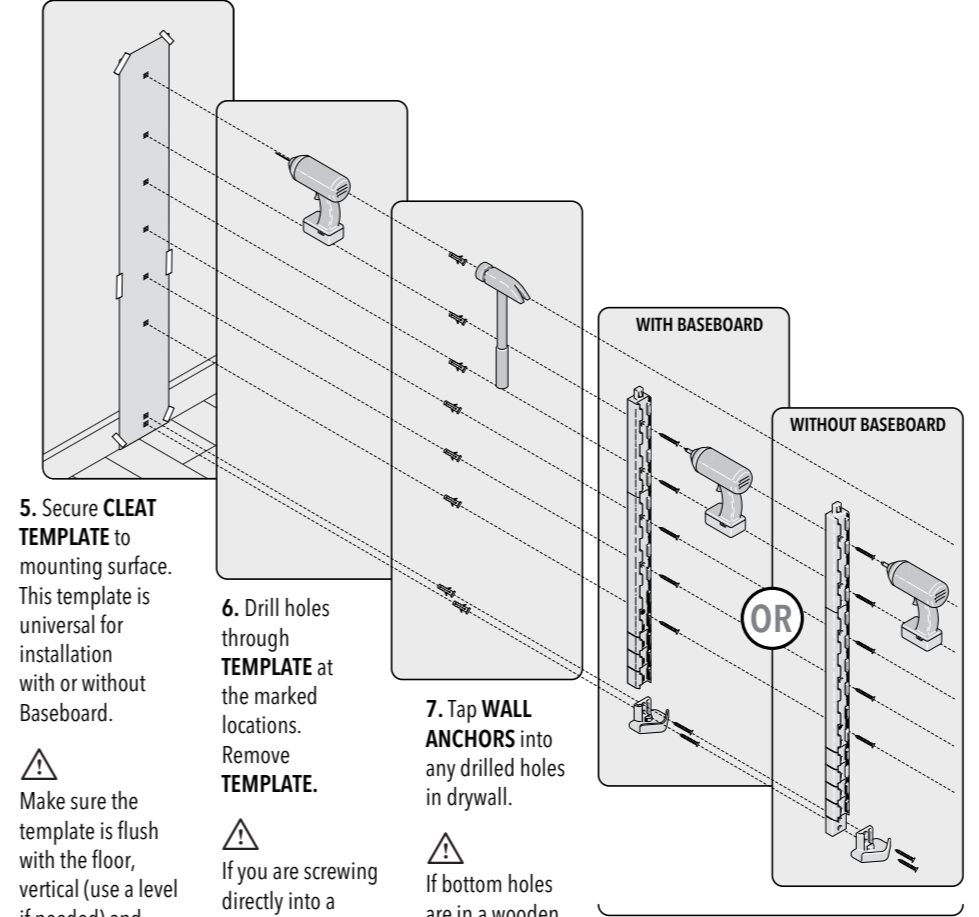
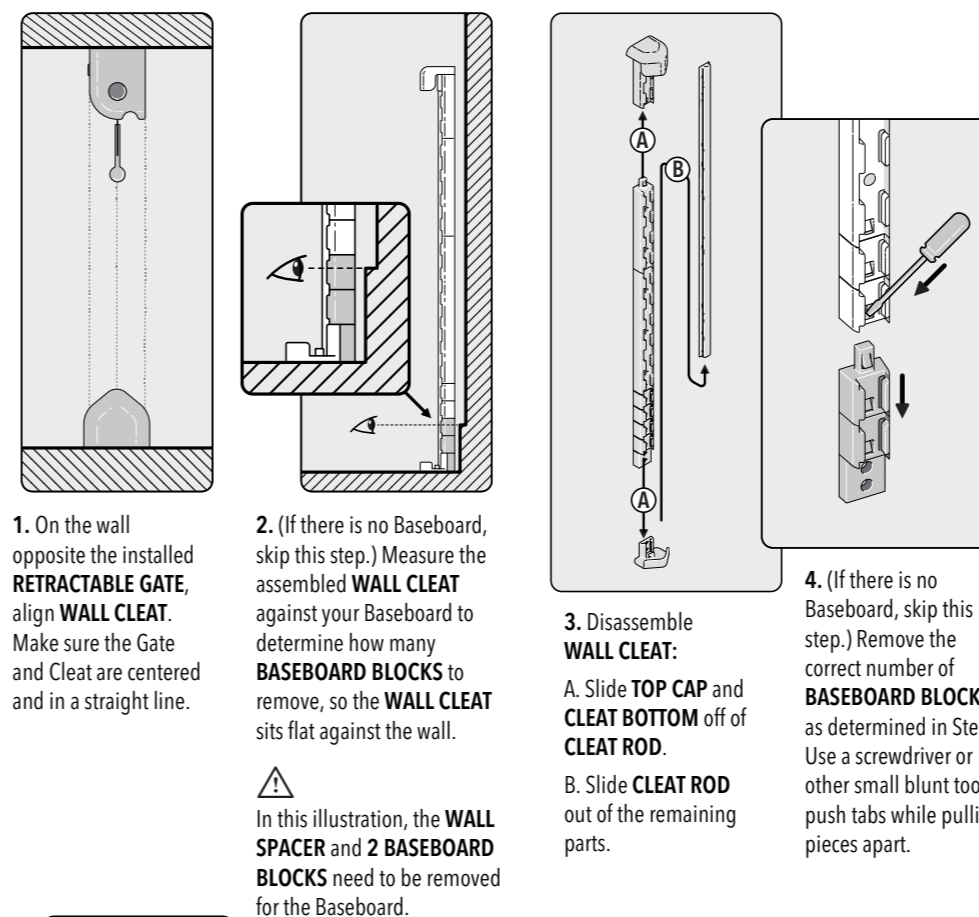
Adult assembly required.



Make sure **GATE** is installed with the bottom resting securely against the rigid surfaces of the wall/baseboard and floor.

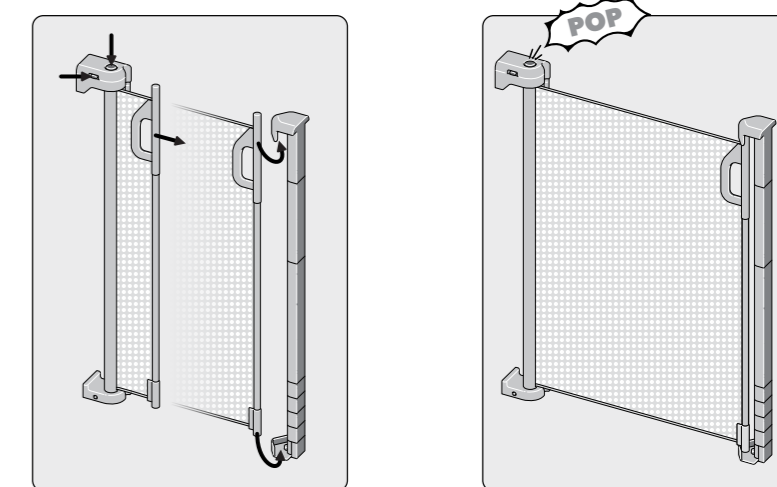
INSTALLATION: WALL CLEAT

Adult assembly required.



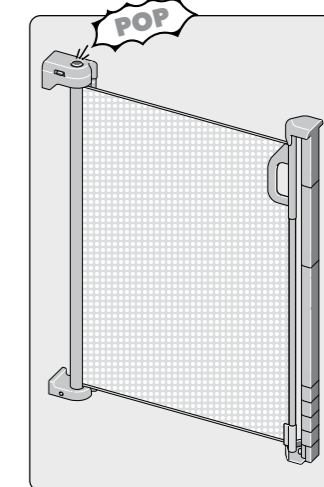
Make sure **WALL CLEAT** is installed with the bottom resting securely against the rigid surfaces of the wall/baseboard and floor.

DIRECTIONS FOR USE: SECURING GATE (CLOSED)



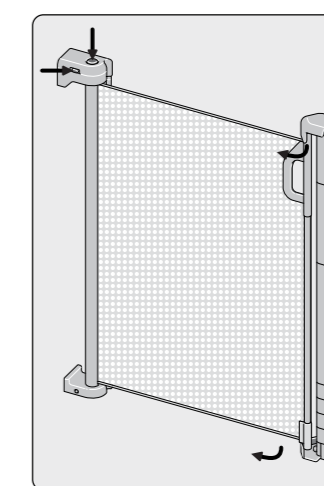
1. At the top of the **RETRACTABLE GATE**, push in the small button on the side, then – while still holding the Side Button – press the Top Button all the way down. Once the Top Button is pressed in, you can release both buttons and pull out the Gate.

2. Slide the top and bottom pegs of the **RETRACTABLE GATE** into the **WALL CLEAT** to secure the gate closed. Any excess material will automatically retract so the gate will be tight across the doorway.

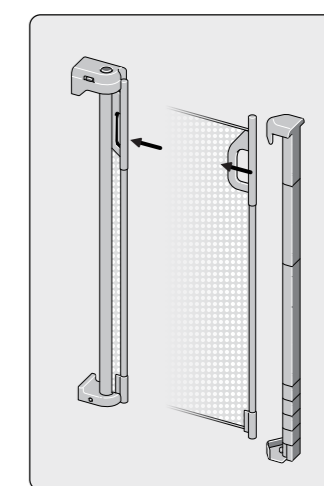


3. You will hear a "pop" sound signaling the **RETRACTABLE GATE** is locked. Do not leave child unattended until you hear the "pop" sound (5 – 20 seconds).

DIRECTIONS FOR USE: RETRACTING GATE (OPEN)



1. To retract the gate, fully press the two buttons on top of the **RETRACTABLE GATE** the same way you did to close it. Then pull the handle to guide the top and bottom pegs out of the **WALL CLEAT**.



2. Carefully guide the handle as the **RETRACTABLE GATE** recoils into its base. If the mesh gets wrinkled on the way in, pull it out again and guide it back so the mesh is flat and rolled up neatly.

WARNING

Children have died or been seriously injured when gates are not securely installed.

- ALWAYS install and use gates as directed using all required parts.
- Use only with the locking mechanism securely engaged.
- STOP using when a child can climb over or dislodge the gate.
- If used at the top of the landing, position the gate at least 6 inches (15 cm) away from the top step.
- NEVER use gate to keep child away from pool.
- Install according to manufacturer's instructions.
- Intended for use with children from 6 months through 24 months.
- This product will not necessarily prevent all accidents.
- Never leave child unattended.
- For domestic/indoor use only. Not intended for gates that may be specifically designed for commercial, institutional, agricultural, pet use, or any other such use.
- Do not use if any of the components are broken, torn or missing.
- Discontinue the use of the product if it becomes damaged, broken, or disassembled.
- Although this product meets all safety standards, Skip Hop® does not recommend retractable gates for use at top of stairs.