

SILVER LINING CLOUD™
baby's view 3-stage activity center



OWNER'S MANUAL

LIMITED WARRANTY:

At Skip Hop, we take great pride in the quality of the craftsmanship of each and every item we produce. We are committed to providing our customers best-in-class, high quality, genuine Skip Hop products through authorized Skip Hop retailers. We stand behind that by the following warranties against defects in materials and workmanship.

This product is covered by a 2-year Warranty. Warranty is non-transferable and only applies to the original purchaser. All refunds and exchanges are issued at the discretion of Skip Hop. Warranty does not cover:

- Damages caused by normal wear and tear (i.e., hook-and-loop wear, etc.)
- Defects resulting from repair or alteration of the product (except by Skip Hop)
- Defects resulting from improper use, including any use or care not in accordance with the product instructions
- Damages resulting from airlines or airport staff
- Defects resulting from improper storage, such as outdoors or in damp environments
- Products that are re-sold, given away, or in any other case where you are not the first and original owner
- Products without receipt or proof of purchase
- Products purchased outside of North America
- Products that are not purchased through an authorized Skip Hop retailer (online or in-store)

Remedies under this warranty are limited to repair or replacement of the product or components of the product. In no event will Skip Hop or any of its retailers, dealers, distributors or resellers be liable for incidental, indirect or consequential damages relating to the product (including any repaired or replacement product or component) or its use. Some jurisdictions do not allow the exclusion or limitation of incidental or consequential damages, so the above limitation and exclusion may not apply to you.

To get service under this limited warranty: please visit www.skiphop.com, or call 888-782-9548 (in the US).

CONSUMER INFORMATION: SAFETY AND DISPOSAL

Do not dispose of Waste Electrical Electronic Equipment (WEEE), including batteries, in unsorted municipal waste; collect separately. Dispose of at WEEE collection sites per local regulation. WEEE contains chemicals that are hazardous to the environment and human health. The end-user's participation is critical to the success of WEEE collection.



- Do not burn batteries. Dispose of batteries in a safe and appropriate manner. • Non-rechargeable batteries are not to be recharged. • Rechargeable batteries are only to be charged under adult supervision. • Exhausted batteries are to be removed from the toy. • The supply terminals are not to be short circuited. • Different types of batteries or new and used/old batteries are not to be mixed. • Rechargeable batteries are to be removed from the toy before being changed. • Do not mix alkaline, standard (carbon-zinc), or rechargeable batteries. • Batteries are to be inserted with the correct polarity. • To prolong the life of this product, remove batteries when toy is in storage.

CAUTION: Changes or modifications not expressly approved by the party responsible for compliance could void the user's authority to operate the equipment. This device complies with part 15 of the FCC Rules. Operation is subject to the following two conditions: (1) This device may not cause harmful interference, and (2) this device must accept any interference received, including interference that may cause undesired operation.

NOTE: This equipment has been tested and found to comply with the limits for a Class B digital device, pursuant to part 15 of the FCC Rules. These limits are designed to provide reasonable protection against harmful interference in a residential installation. This equipment generates, uses and can radiate radio frequency energy and, if not installed and used in accordance with the instructions, may cause harmful interference to radio communications. However, there is no guarantee that interference will not occur in a particular installation. If this equipment does cause harmful interference to radio or television reception, which can be determined by turning the equipment off and on, the user is encouraged to try to correct the interference by one or more of the following measures:

- Reorient or relocate the receiving antenna.
- Increase the separation between the equipment and receiver.
- Connect the equipment into an outlet on a circuit different from that to which the receiver is connected.
- Consult the dealer or an experienced radio/TV technician for help.

CAN ICES-3 (B)/NMB-3(B)

Bird Bowl
For your child's safety and health:

WARNING!

Always use this product with adult supervision. Before each use, inspect the product. Throw away at the first sign of damage or weakness. This product is not a toy. Always check food temperature before feeding. Do not store in direct sunlight, as this may damage product. Before first use, clean the product. Inspect & wash thoroughly before first use and after each use. Clean after each use, as soon as possible. Do not freeze or boil.

WARNING

FALL HAZARD

- Babies can **FALL** from product resulting in head injuries.
- **NEVER** leave the child unattended. **ALWAYS** keep child in view while in the activity center.
- **NEVER** use near stairs, stoves or ovens, fireplaces, heaters, swimming pools or other dangerous areas.
- To avoid tip over, place product on a flat, level surface.

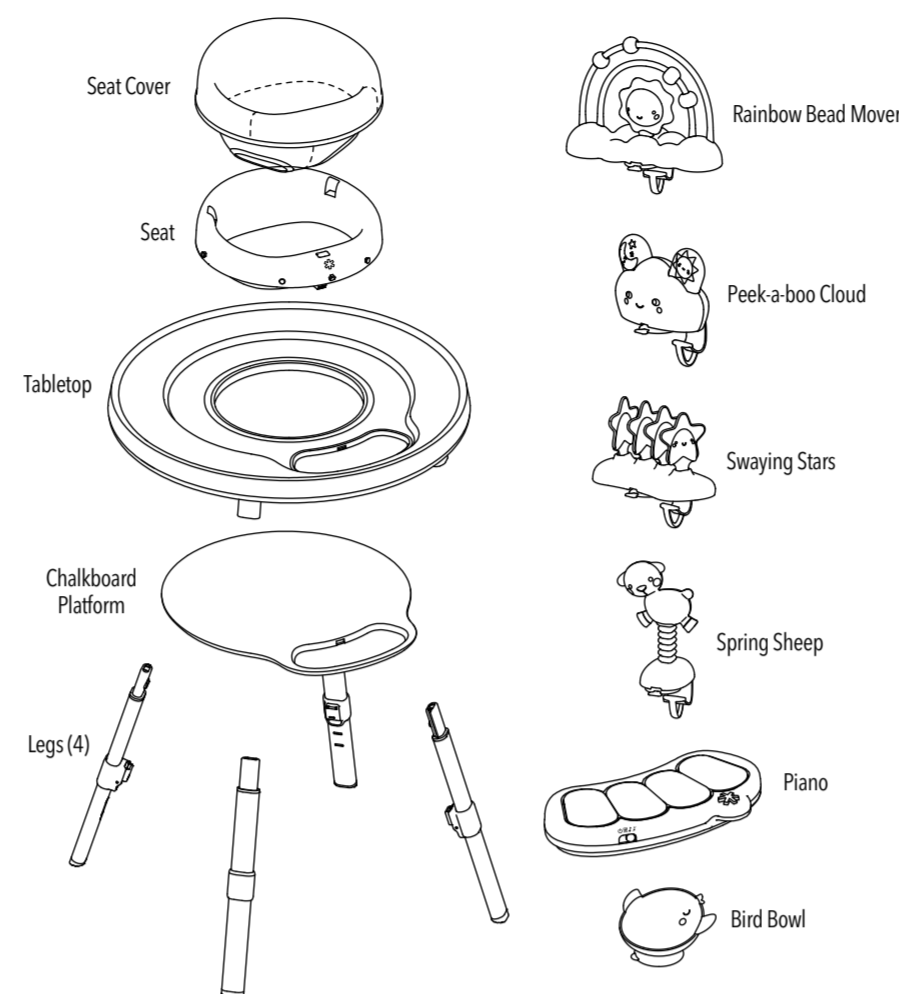
STRANGULATION HAZARD

- Strings can cause **STRANGULATION**.
- **DO NOT** place items with a string around child's neck, such as hood strings or pacifier cords.
- **DO NOT** suspend strings over product or attach strings to toys.
- Keep all components not in use out of reach of children.
- Do not use the Activity Center if it is damaged or broken.
- The Stationary Activity Center is for a child able to support its head unaided at minimum. Discontinue use when child begins to walk unassisted.

EN Read all instructions before assembly and use of the stationary Activity Center.

IMPORTANT! Keep instructions for future use.

CONTENTS:



CLEANING AND CARE:

Plastic Parts: Wipe surfaces with mild soap and water. Air dry.

Bird Bowl: Wash thoroughly before use. Dishwasher safe, top rack only.

Fabric Parts: Machine wash cold, gentle cycle. No Bleach. Dry Flat. Do not iron. Do not dry clean.

Chalkboard Platform: To remove chalk, wipe clean with a wet cloth.



SETUP AS ACTIVITY CENTER:

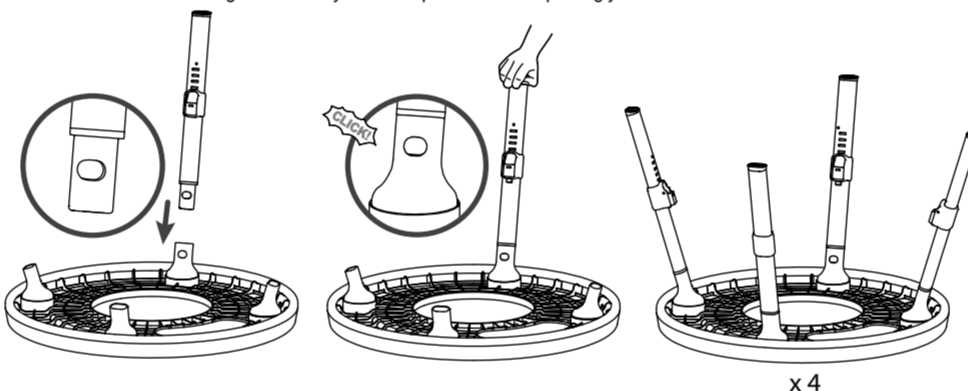
Adult assembly required.

CAUTION: Do not use with children over 25 lbs (11kg), or over 30 inches (76cm) For use only with infant who can hold up their head unaided.

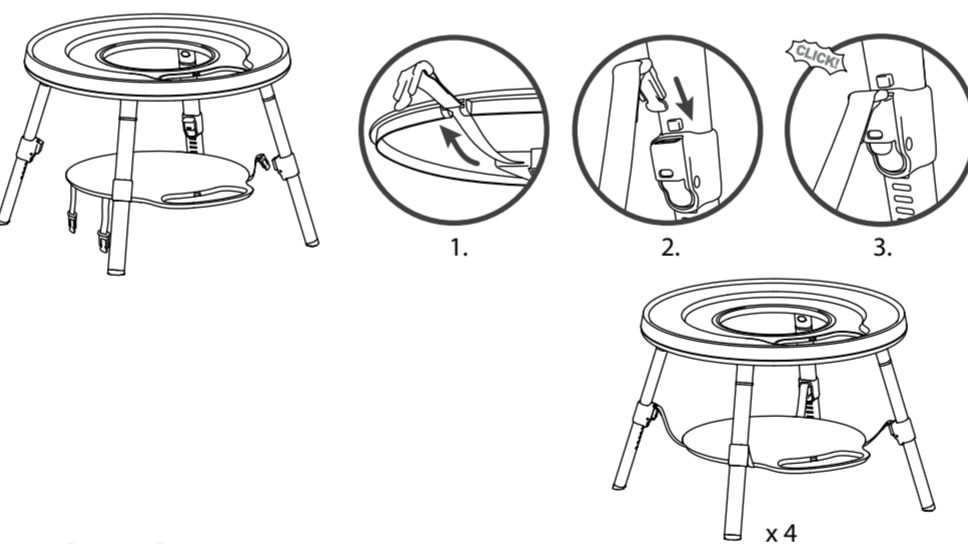
Discontinue use when child begins to walk unassisted or can lift itself out of seat.

LEG ASSEMBLY

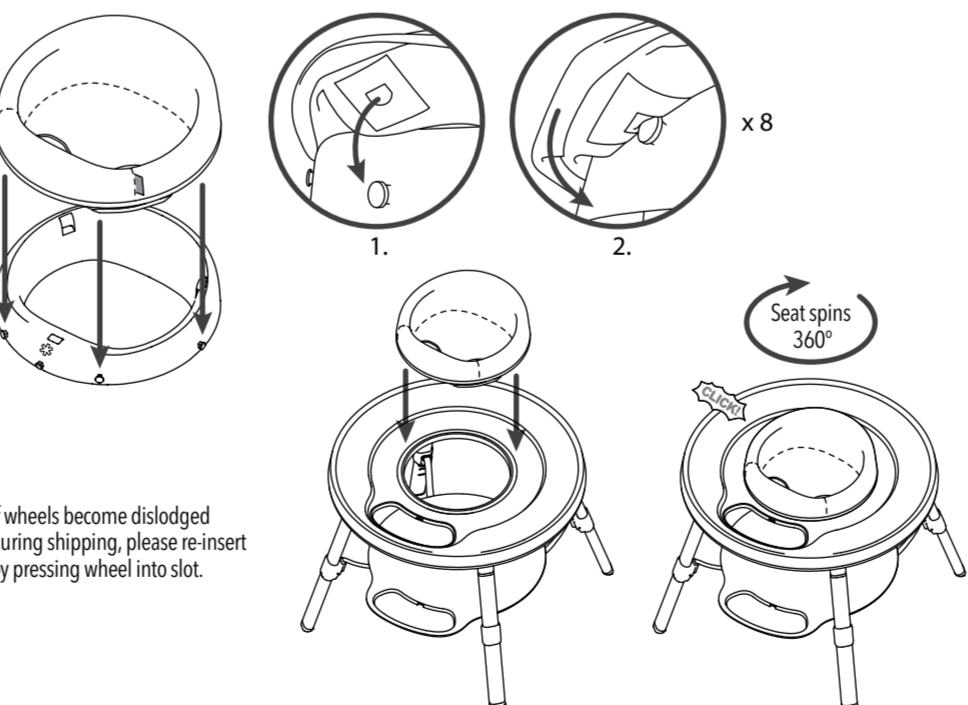
CAUTION: Make sure all 4 legs are securely locked in position before putting your child in the seat.



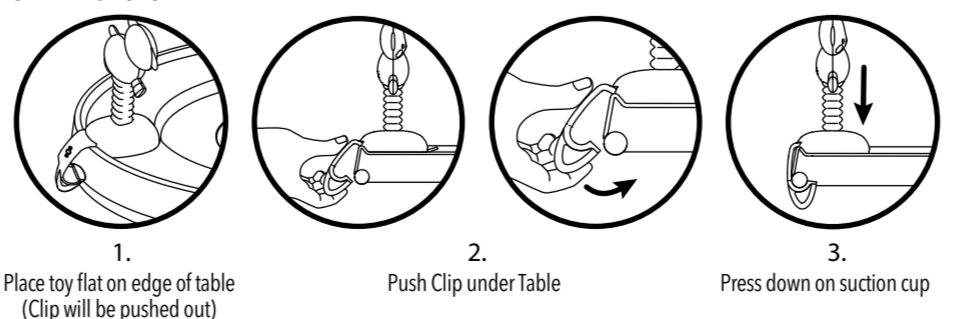
PLATFORM ASSEMBLY



SEAT INSTALLATION



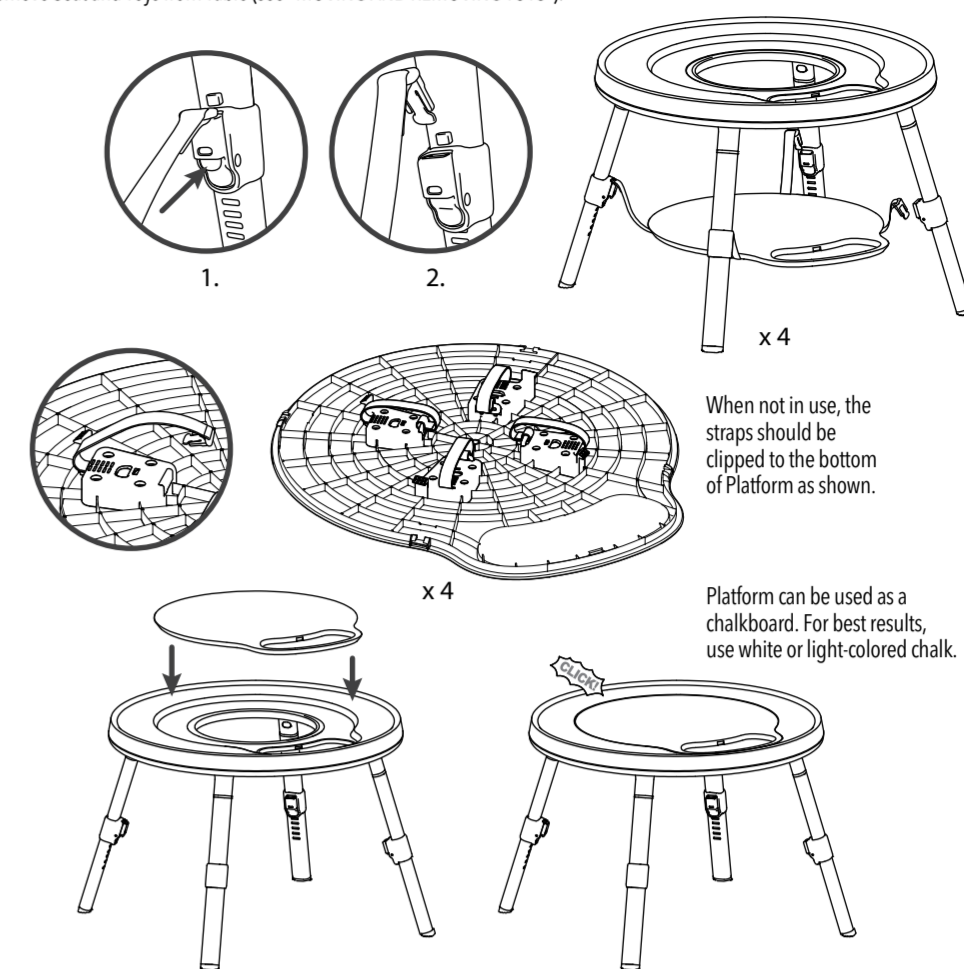
INSTALLING TOYS



SETUP AS PLAY TABLE:

Adult assembly required.

Remove Seat and Toys from Table (see "MOVING AND REMOVING TOYS").

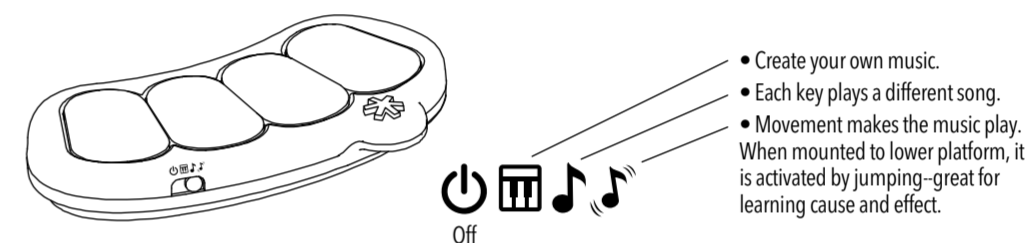


PIANO PLAY: (requires 3 AAA batteries)

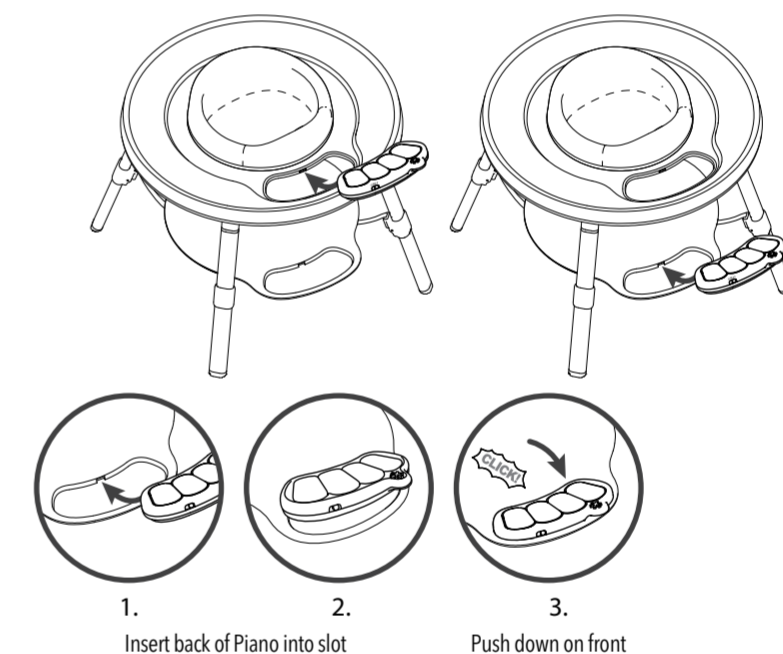
Install/replace batteries (by adult only):

- Open battery cover with screwdriver
- Insert or replace with 3 AAA1.5V batteries
- Replace cover and secure screws with screwdriver

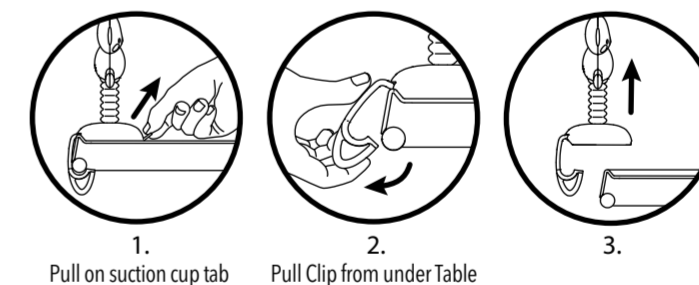
At the end of product life, remove batteries from product by following the above battery replacement instructions. Always dispose of used batteries properly. See section on safety and disposal information. To prolong the life of this product, remove batteries when toy is in storage.



INSTALLING PIANO ON TABLE OR PLATFORM

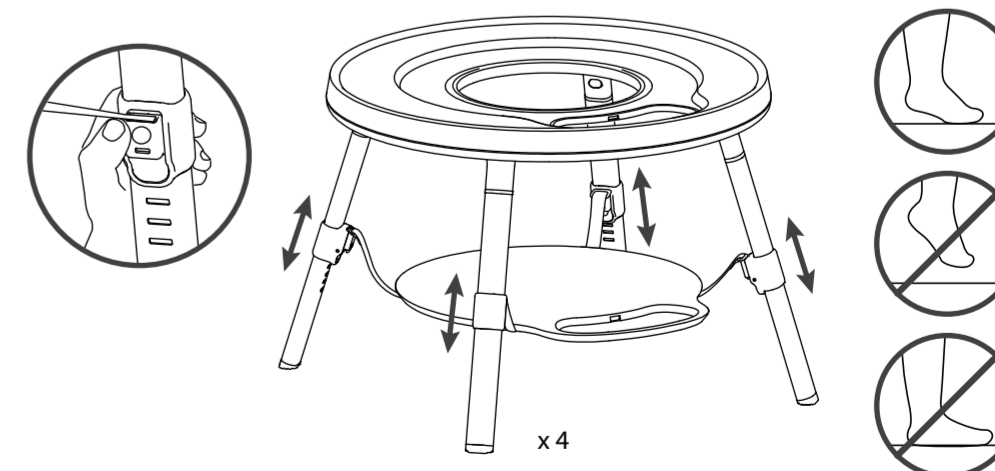


MOVING AND REMOVING TOYS



ADJUSTING PLATFORM HEIGHT

ALWAYS remove baby from Activity Center before adjusting. Platform may be removed if baby's feet are flat on the platform.



© Skip Hop, Inc.
50 W 23 St, NY, NY 10010
In the US: 888.782.9548
www.skiphop.com
Made in China

Meets or exceeds ASTM F963,
EN71 and applicable safety
standards.

EN14372 - For snack bowl

EU REP:
Carier's Holdings B.V.
Prins Bernhardplein 200
1097 JB Amsterdam
The Netherlands

